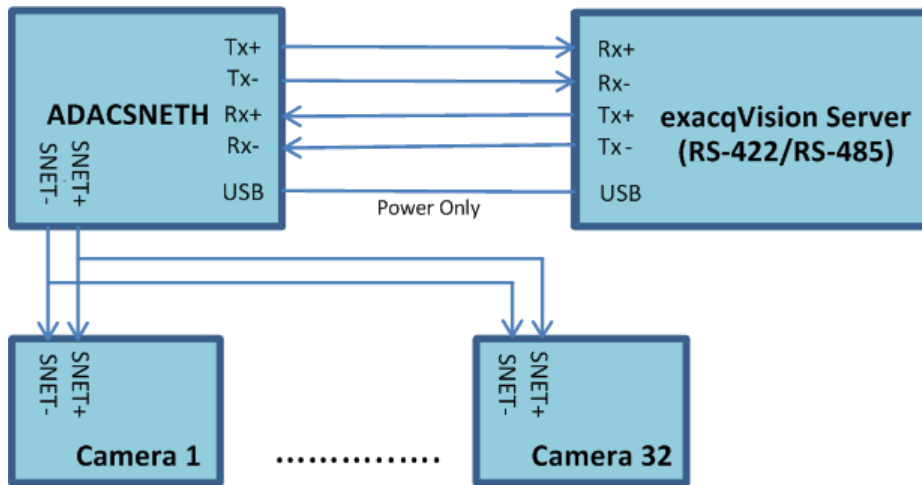


Specifications

- Applicable to ADACSNETH model
- No drivers are needed
- For use with American Dynamics SensorNet cameras
- Supports up to 32 SensorNet cameras

Configuration

1. Make connections as shown here (SNET connections must be implemented according to the user manual):



2. In exacqVision Client, configure a Serial Port Setup entry as shown here:

Use	Name	Port	Profile / Protocol	Baud Rate	Data Bits	Stop Bits	Parity	Flow Control	Max Line Length
Unused	COM1	COM1	None	38400	8	1	None	None	80
Unused	COM3	COM3	None	38400	8	1	None	None	80
PTZ	COM4	COM4	AD-RS422	38400	8	1	None	None	80

3. Configure Camera Setup as shown here (the camera dip switch address must match the setting on the Camera Setup page):

